

# **Transport and installation instructions**

**as from serial No. 6050451**

## **TNL18**

dynamic

## **TNL18-7**

## **TNL18-7B**

## **TNL18P**

## **Note on applicability**

Illustrations in this publication may deviate from the product supplied. Errors and omissions due to technical progress expected.

## **A word on copyright**

This document is protected by copyright and was originally compiled in German. The duplication and distribution of this document or parts thereof is prohibited without prior consent of the copyright owner, and any violators will be prosecuted. All rights, including the right to translate, are reserved.

© Copyright by INDEX-Werke GmbH & Co. KG

<b>Safety .....</b>	<b>7</b>
Symbols .....	7
Documentation safety instructions .....	7
<b>Installation diagrams .....</b>	<b>9</b>
TNL18-7(B) with 500 litre universal lubricoolant unit and chip conveyor .....	9
TNL18P with 500 litre universal lubricoolant unit and chip collector .....	10
<b>General .....</b>	<b>11</b>
Machine weight and dimensions .....	11
Information on transporting the machine by truck .....	12
Loading and shipping in crate .....	12
Space required .....	13
Ambient conditions .....	13
Substrate, foundations .....	13
Compressed air supply .....	14
Equipment to be provided .....	14
Accumulator .....	14
Pumps and tanks .....	14
Connection to local extractor unit by customer .....	14
Power supply .....	15
Main fuse .....	15
External data transmission .....	15
Chip disposal .....	16
Disposal of spent fuels and fluids .....	16
Compliance with regulations concerning groundwater and wastewater .....	16
<b>Preparing the machine for transport .....</b>	<b>17</b>
Positions of the turret-type tool heads and main spindle .....	17
Close open hose or pipe lines .....	17
Corrosion protection .....	18
Attach transport retainers and drip tray to the machine .....	18
Positions of the transport retainers .....	18
Attach drip tray .....	21

<b>Transporting the machine</b> .....	<b>23</b>
Packaging of the machine, machine components and accessories .....	23
Centre of gravity of the machine (S) TNL18P / TNL18-7 .....	24
Centre of gravity of the machine (S) TNL18-7B (with B-axis) .....	25
Machine ready for shipment .....	26
Openings for inserting the fork arms of the fork lift truck .....	27
Fork lift truck requirements .....	27
Transporting the machine by truck .....	28
Securing the load .....	29
Unloading and transporting the machine with a fork lift truck .....	31
Fork lift truck requirements .....	31
Transporting the machine on rollers .....	33
Mount transport supports .....	34
Place machine on rollers .....	35
Transport machine to installation site .....	37
<b>Installation of the machine</b> .....	<b>39</b>
Electrical connection .....	39
Aligning and anchoring the machine .....	39
Remove transport retainers and drip tray from the machine .....	41
Transport and installation of the chip conveyor and chip pan .....	42
Machine connection to central extractor unit .....	44
Shutoff damper for fire protection (optional) .....	44
Indicator lamp .....	44
Fuels .....	44
<b>Electrical connection</b> .....	<b>45</b>
Notes .....	45
Rated electrical connections .....	46
TNL18P / TNL18-7 .....	46
TNL18-7B (with B-axis) .....	46
RCD circuit-breaker .....	47
Protective earth .....	47
Four-wire system .....	47
Five-wire system .....	47



<b>Fuels</b> .....	<b>49</b>
Overview of fuels .....	49
<b>Pneumatic connection</b> .....	<b>51</b>
Supply of compressed air .....	51
Air consumption .....	51
<b>Switch on the machine</b> .....	<b>53</b>



## Symbols

This chapter describes the symbols used in the documentation for users to highlight risks and tips.



This symbol draws attention to imminent danger to life and health. Failure to observe this danger sign can result in serious damage to health, as well as potentially fatal injuries and even death.



This symbol draws attention to imminent danger due to electricity. Failure to observe this danger sign can result in serious damage to health, as well as potentially fatal injuries and even death.



This symbol draws attention to important information on correct operation of the machine. The machine or parts of the machine may be damaged or malfunction if these instructions are not observed.

## Documentation safety instructions



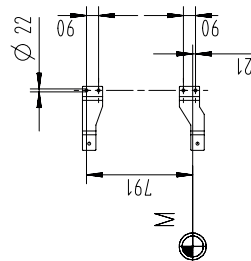
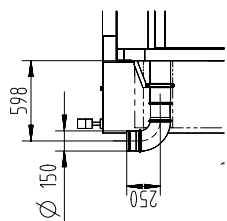
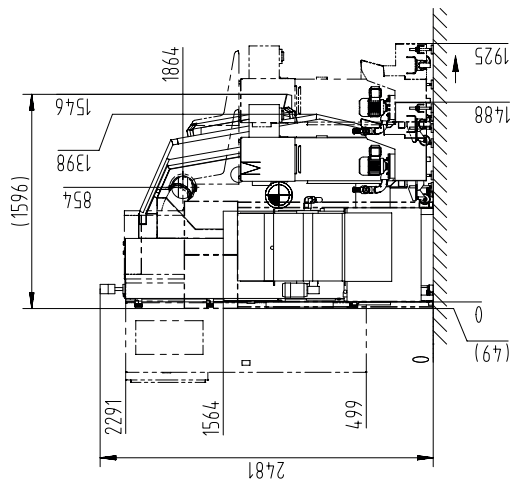
The documentation for users and particularly the safety instructions must be observed. The safety instructions are set out in a separate document forming part of the TRAUB documentation for users.



**TNL18-7(B) with 500 litre universal lubricoolant unit and chip conveyor**



The corresponding installation and layout drawing must be obtained before the machine is installed.



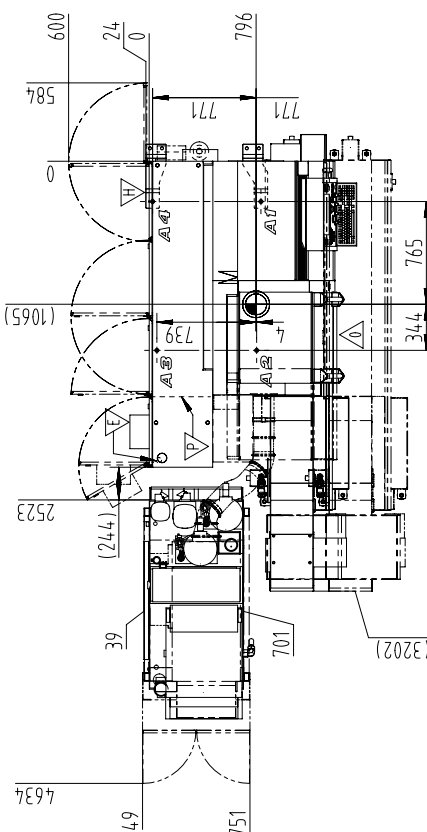
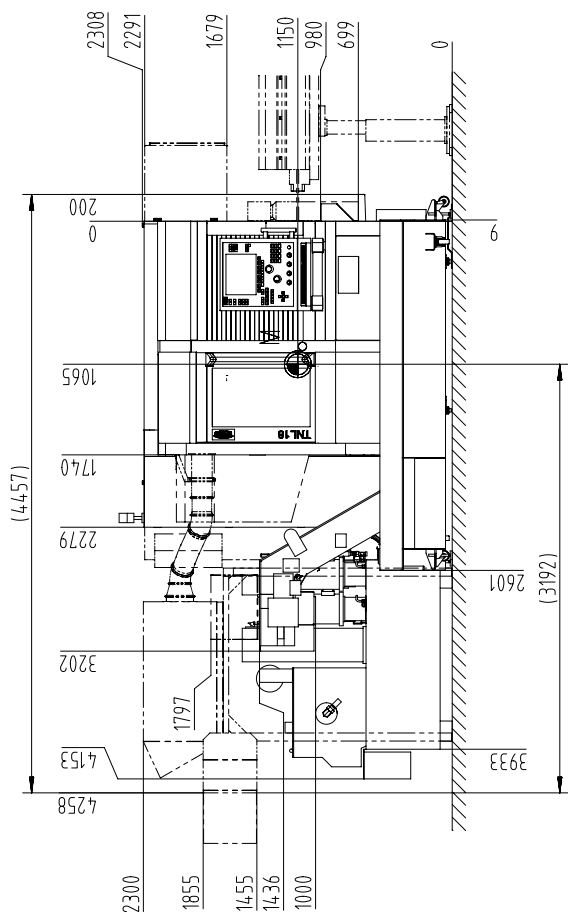
- = Operator side
- = Electrical connection
- = Hydraulic unit
- = Pneumatic connection

**Bearing points (kN)  
TNL18-7**

A1	16.32
A2	9.34
A3	2.90
A4	5.78

**Bearing points (kN)  
TNL18-7B**

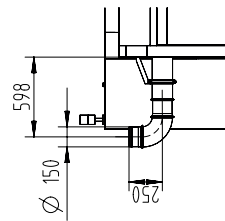
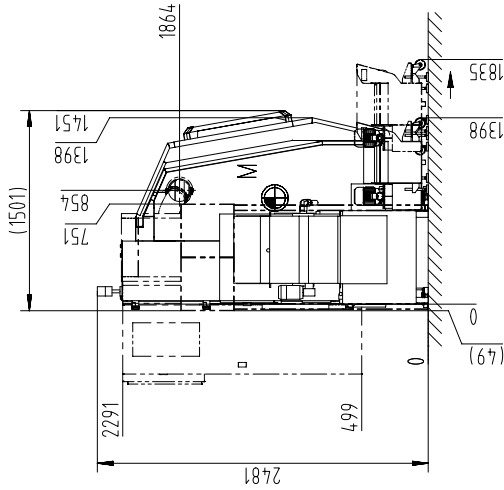
A1	10.97
A2	13.48
A3	7.30
A4	6.26



TNL18P with 500 litre universal lubricoolant unit and chip collector



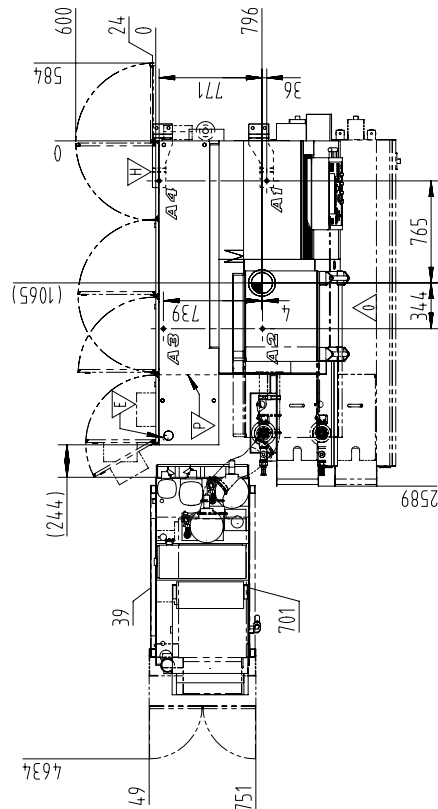
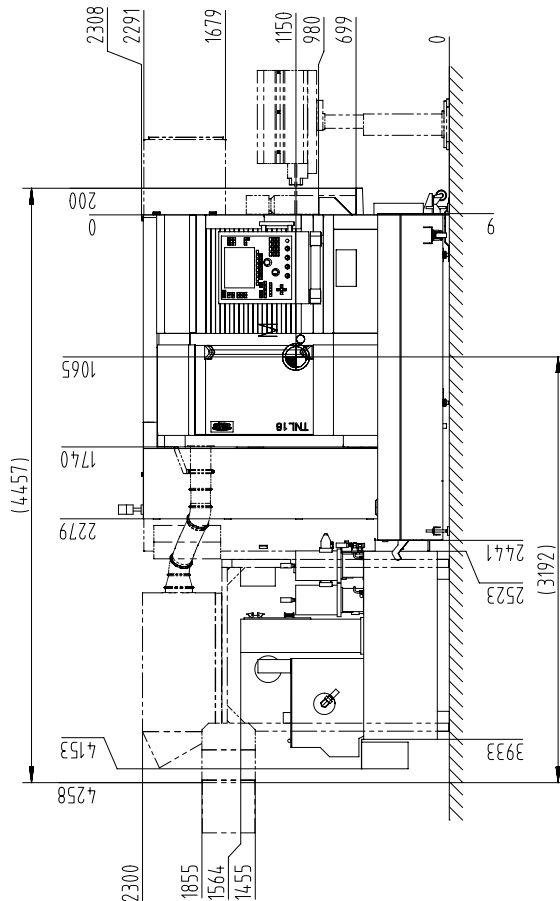
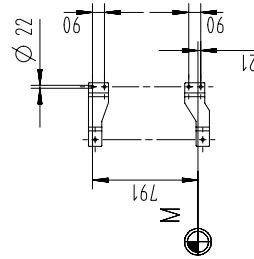
The corresponding installation and layout drawing must be obtained before the machine is installed.



- = Operator side
- = Electrical connection
- = Hydraulic unit
- = Pneumatic connection

**Bearing points (kN)**

A1	16.32
A2	9.34
A3	2.90
A4	5.78





**Beware of being crushed**

The installation site must be selected in such a way that there is no risk of anyone or anything being crushed against walls, pillars or hall installations by moving parts or the machine, including manually operated doors and flaps, etc.



**Danger due to falling machine / parts**

Ensure there is no-one underneath the suspended load!



**Transporting the machine**

The machine may only be transported with the aid of a fork lift truck or armoured heavy-duty roller.

It **must** be lifted from the control cabinet side when transported by a fork lift truck.

The transport supports Article No. 086641 and 086642 **must** be used when transporting the machine on armoured heavy-duty roller. The transport supports are available from TRAUB on loan if required and must be returned completely and without delay after use.



The machine with bar loading magazine must in all cases be anchored in the ground.

**Machine weight and dimensions**



The above weights refer exclusively to the basic machine, i.e. **without** chip conveyor, emulsion tank and workpieces.

Machine weight [kg]	TNL18-7	TNL18-7B (with B-axis)	TNL18P
with control cabinet		3700	3700
Machine dimensions [mm]			
Length		2479	2479
Width		1596	1501
Height		2481	2481
Bearing points* [kN]			
A1	16.32	10.97	16.32
A2	9.34	13.48	9.34
A3	2.90	7.30	2.90
A4	5.78	6.26	5.78

\* Bearing points A see chapter Installation diagrams

Delivery, unloading and transport of the machine from the unloading point to the installation site must be carefully planned.

Note the size (dimensions) and weight of the individual units.

Any obstacles on the way from the unloading point to the installation site must be removed before the machine is delivered.

Check the route with regard to load capacity, levelness, pavement damage, transverse grooves and gradients, both uphill and downhill.

### **Information on transporting the machine by truck**

The truck should have pneumatic suspension in order to avoid major bumps during transport!

### **Loading and shipping in crate**

The machine can be transported at temperatures down to -20 °C. Special precautions must be taken when transporting the machine in regions with temperatures below -20 °C.

When shipped to countries with extreme climates, the machine must be protected more extensively during transport. The machines are packed by special packaging companies for shipment to such countries. Only bolted (never nailed) crates are used here.

Packagings are invoiced at cost price. They will be taken back in accordance with the new German regulations on packagings if delivered free of charge to TRAUB.



### Space required

The following must be assured:

- Sufficient space around the machine.
- Sufficient freedom of movement for the operator.
- Sufficient space for maintenance and repair work.
- All doors on the machine must be able to open completely.
- Space for pallets containing blanks and workpieces, workpiece containers, chip trolleys, tool trolleys, etc.

The space required can be determined with the aid of the installation drawing.

### Ambient conditions

Refer to the chapter *Ambient conditions* in the Safety instructions.



Please contact **TRAUB** or a **TRAUB agent** if conditions at the installation site diverge from those specified.

### Substrate, foundations

The load capacity and strength of the flooring must be sufficient to bear the weight of the machine in structural terms.

Expansion joints are not permitted in the area under the machine.

Bar feeding and re-feeding mechanisms, as well as bar loading magazines must be anchored in the foundations as a matter of principle (for further details refer to the associated User manual and Installation drawing).



#### **Bottom sump**

If the machine is installed in a bottom sump, the convexity of the floor in the area of the bottom sump should not exceed 5 mm at most; if possible, it should be level or concave. If the permitted unevenness is exceeded, the bottom sump may rub against the underside of the machine / machine components.

### Compressed air supply

See chapter *Pneumatic connection*

### Equipment to be provided

See chapter *Fuels* and *Notes on Operating Materials*

### Accumulator



The directives and regulations of the country of use must always be taken into account.

If the machine is delivered by air freight, all accumulators installed on the machine will be depressurized.

All accumulators must be filled with nitrogen (N<sub>2</sub>) by a duly qualified member of staff before the machine is started up. The prescribed pressures must be maintained.

Prescribed pressures can be found in the *Hydraulic circuit diagrams*.



Before the machine is transported by air freight again, all accumulators on the machine must be depressurized by a duly qualified member of staff.

### Pumps and tanks

A pump with 10 µm fine filter (absolute) is needed in order to fill the hydraulic fluid tank in the machine; this pump may only be used for this specific purpose.

A simple pump will suffice to extract the spent hydraulic fluid or lubricoolant. The same pump can also be used to fill the lubricoolant tank, but must first be thoroughly rinsed with fresh lubricoolant.

A sturdy container is needed to collect the extracted fluids. Tightly closing and duly labelled metal containers of corresponding capacity can be used for this purpose.

### Connection to local extractor unit by customer



If a local extractor unit is connected to the machine by the customer, the extinguishing unit installed in the machine must be adapted accordingly.

### Power supply



The directives and regulations of the country of use must always be taken into account.



Keep the mains power input to the machine as short as possible. Cable cross-section must be suitably dimensioned.

A stable supply is required for the interface controller (PLC) and numerical control system (NC) - maximum fluctuation in operating voltage +10% or -10%.

The mains power input must be realized in accordance with the regulations of the relevant power supply company and VDE regulations.

### Main fuse



Check the service to establish whether it can bear the additional load required. Any unclear points must be clarified with the relevant power supply company.

The main fuse is not included in the scope of delivery of the machine. It must be installed outside the machine in accordance with DIN EN 60204-1. If an upstream transformer is required, the main fuse must be installed before the upstream transformer, i.e. on the primary side. The values to be secured depend on the operating voltage available.

The values for machine connection, operating voltage and main fuse can be found in the electrical circuit diagrams and the chapter *Electrical connection*.

### External data transmission



Data lines must not be located directly alongside power lines.

Suitable metal conduits must be installed for the data line in order to transmit data from/to external computers and storage systems.

### Chip disposal

A chip trolley will be needed if the machine operates with chip conveyor. The height of the chip trolley must be adapted to the discharge height of the chip conveyor.

The chip trolley should include an outlet via which the accumulated lubricoolant can be drained and returned to the lubricoolant tank.



The customer must fit a cover on the collecting bin for discharged metal chips. The cover must be designed in such a way that it is impossible to reach into the discharge chute.

### Disposal of spent fuels and fluids



The directives and regulations of the country of use must always be taken into account.

The rules governing environmentally correct disposal of spent fuels and fluids, such as hydraulic fluid, lubricant oil and lubricoolant, must be clarified in good time.

### Compliance with regulations concerning groundwater and wastewater



The directives and regulations of the country of use must always be taken into account.

The machine contains aquatic pollutants, such as water-miscible lubricoolants and mineral oils. These substances may leak from the machine in the event of a fault.

For this reason, the machine's installation site must be designed to prevent any harmful effects on bodies of water or the groundwater due to these substances.

### Possible precautions

- Place the machine in a leak-proof steel pan.
- Seal the floor of the factory hall.

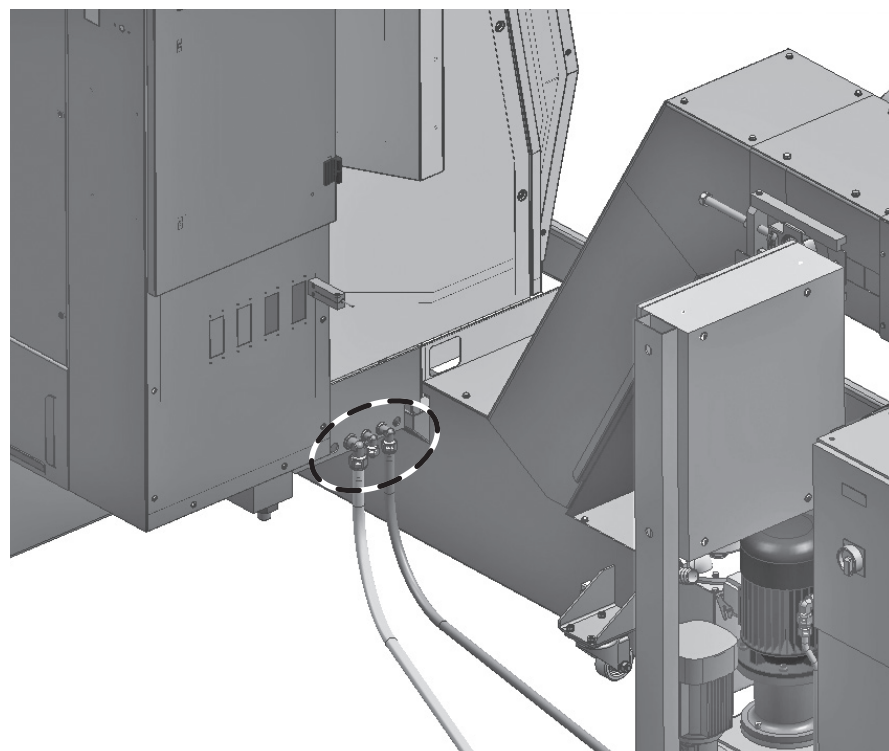
**Positions of the turret-type tool heads and main spindle**

In order to transport the machine, the turret-type tool heads must be located in the specified positions so that the transport retainers can be fitted.

TNL 18P TNL 18-7		TNL 18-7B (with B-axis)	
<b>Main spindle</b>			
Z = 205	Rear limit position	Z = 205	Rear limit position
<b>Turret-type tool head 1</b>			
X = 80	Bottom limit position	X = 80	Bottom limit position
Y = 25	Left-hand limit position	Y = 0	Centre of main spindle
V = 15		V = 15	
		B = 0	
<b>Turret-type tool head 2</b>			
X = 200	Bottom limit position	X = 200	Bottom limit position
Y = 20	Left-hand limit position	Y = 20	Left-hand limit position
Z = 1		Z = 1	

**Close open hose or pipe lines**

To prevent any remaining cutting oil or lubricoolant dripping from the lines, the open hose lines and pipes must be sealed with plugs.



**Corrosion protection**

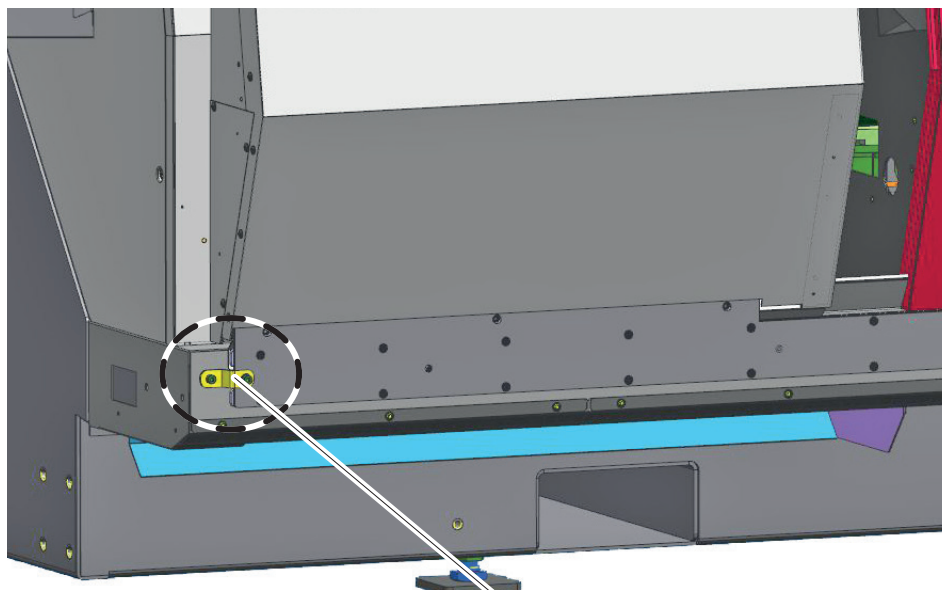
Before delivery, all machines are coated to protect them from corrosion. This corrosion protection must be renewed accordingly whenever the machine is subsequently transported again.

 Details on corrosion protection can be found in the documentation **Notes on Operating Materials.**

**Attach transport retainers and drip tray to the machine**

Positions of the transport retainers	TNL18P TNL18-7	TNL18-7B (with B-axis)
	Article No.	
Turret-type tool head	904051 Angle	901722 Angle
Sliding guard	902518 Metal plate	
Control console	901093 Angle	
Main spindle	904053 Metal plate	901264 Metal plate
<b>Drip tray</b>	902857	
	Drawing No.	
<b>Transport retainers, complete</b>	904050	901723

**Transport retainer, sliding guard**

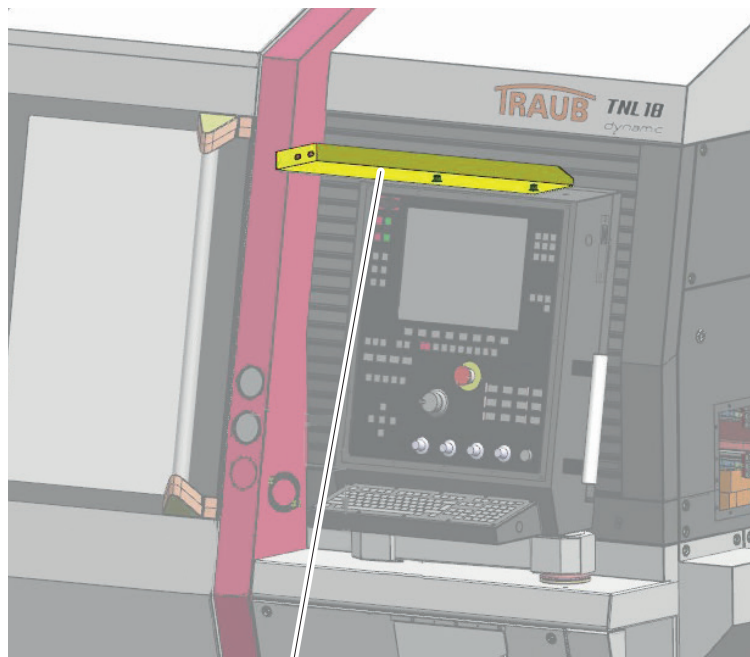


Transport retainer,  
sliding guard

Article No.  
902518

**Transport retainer, control console**

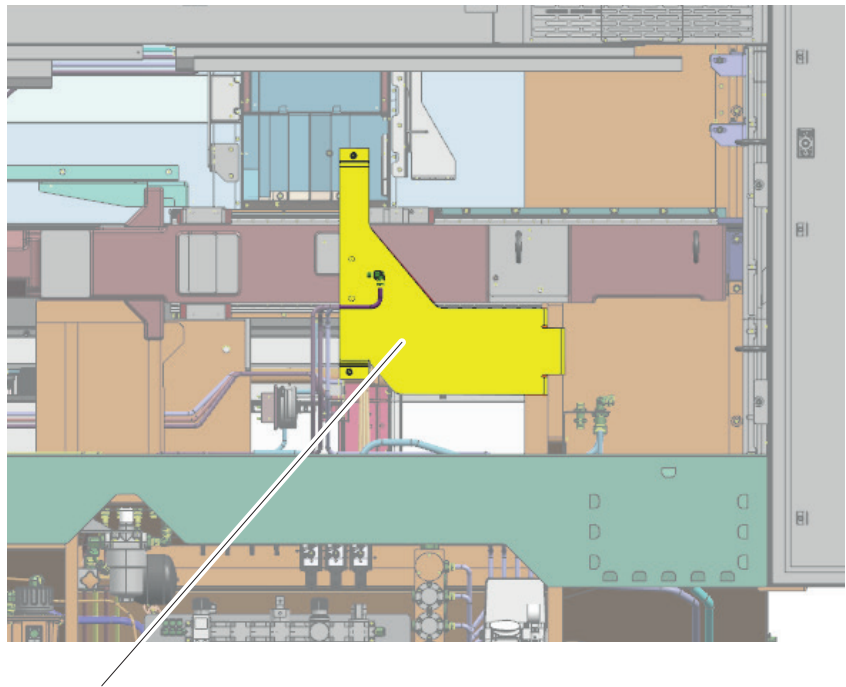
Secure the control console to the angle bracket with tape over the keyboard housing.



Transport retainer,  
control console

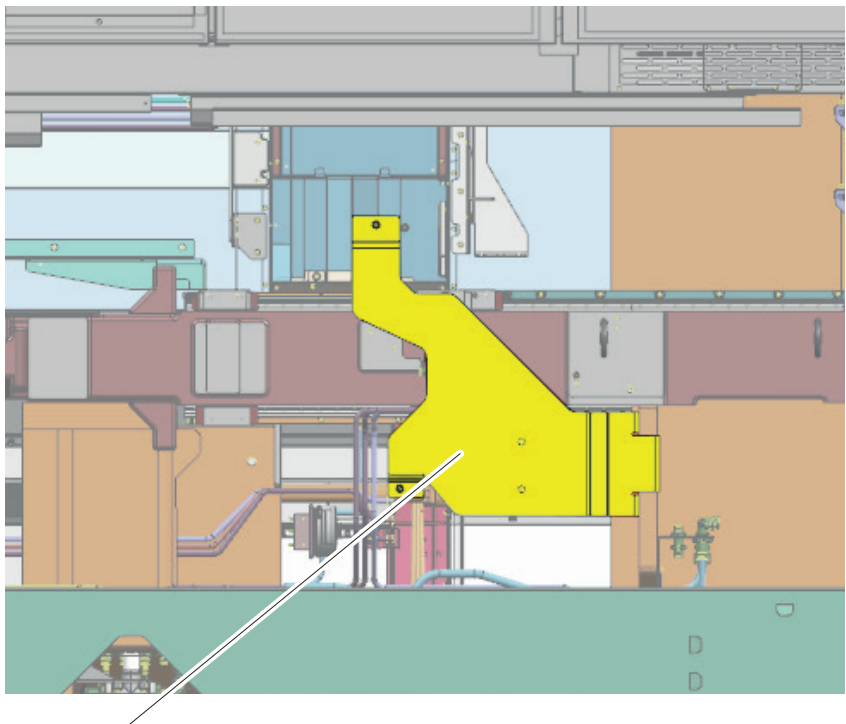
Article No.  
909439

**Transport retainer, turret-type tool head top and bottom TNL18P,TNL18-7**



Transport retainer, turret-type tool head	Article No. 904051
--	-----------------------

**Transport retainer TNL18-7B (with B-axis)**



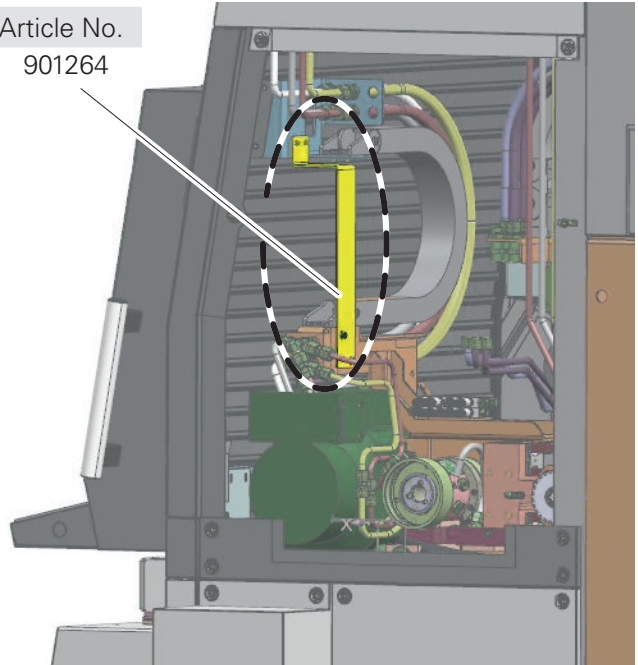
Transport retainer, turret-type tool head	Article No. 901722
--	-----------------------



**Transport retainer, main spindle**

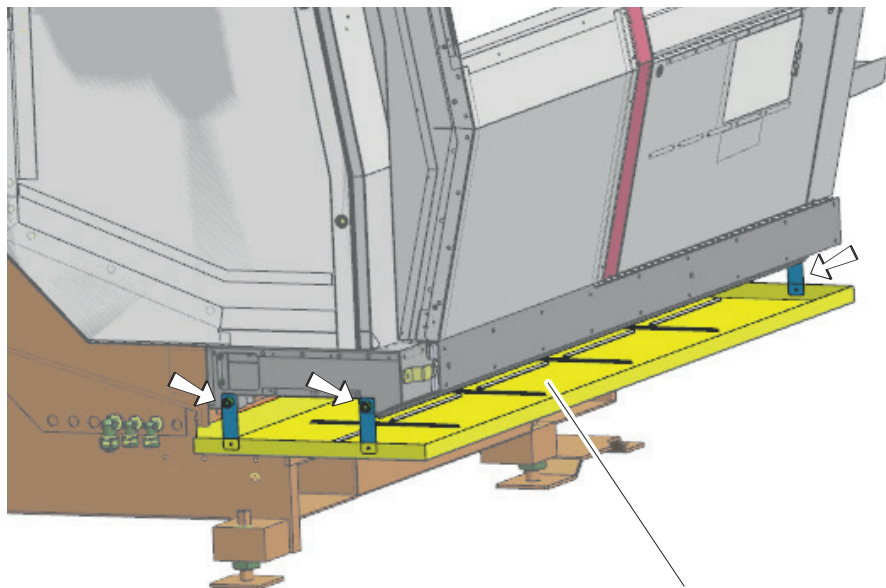
Transport retainer,  
main spindle

Article No.  
901264



**Attach drip tray**

Secure the drip tray to the underside of the machine with four screws.



Transport retainer,  
drip tray

Article No.  
902857



### Packaging of the machine, machine components and accessories

- Machine mounted on planks complete with control cabinet.  
(The adjusting screws must be removed first.)
- Machine components and accessories mounted on pallets and secured



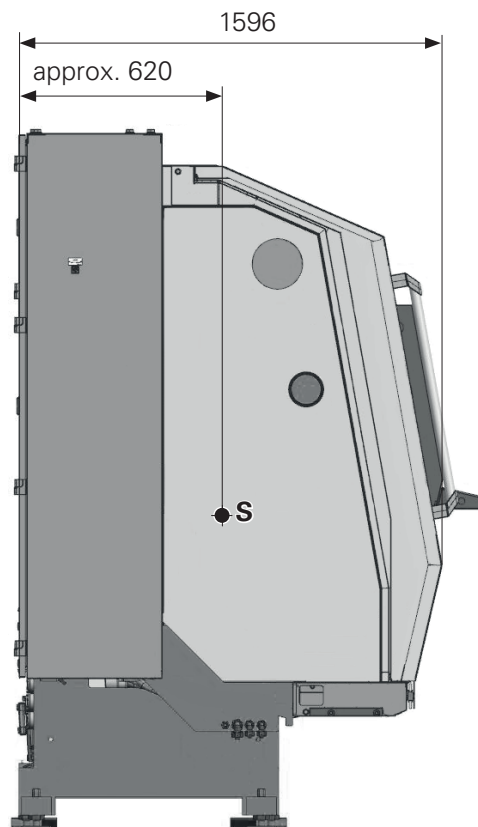
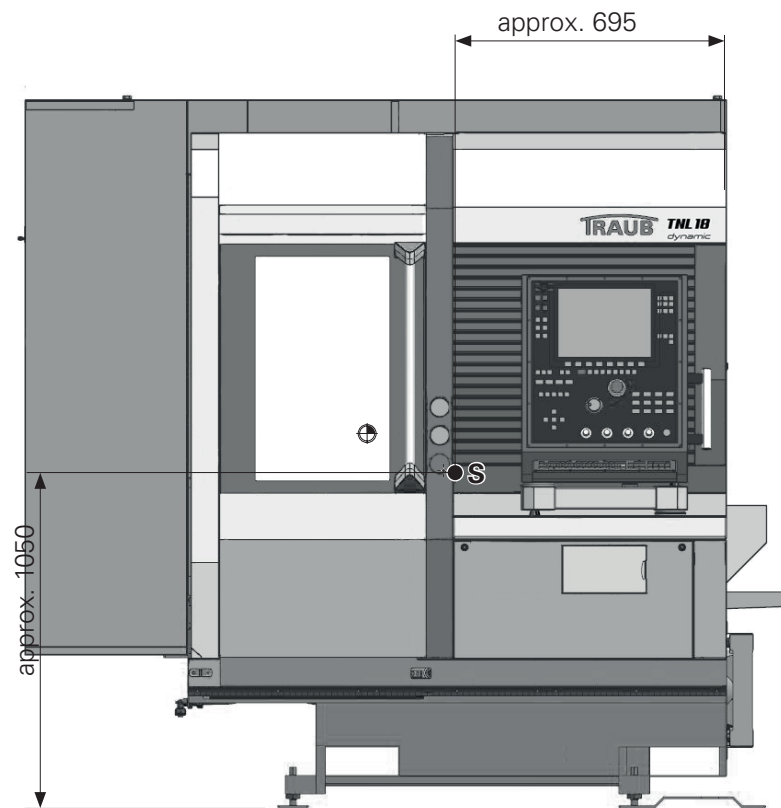
#### **The following are located in the control cabinet:**

- Required records, such as geometry record or safety record
- Installation diagram
- Key for the control console
- Key for the fire protection system  
(depending on machine equipment)

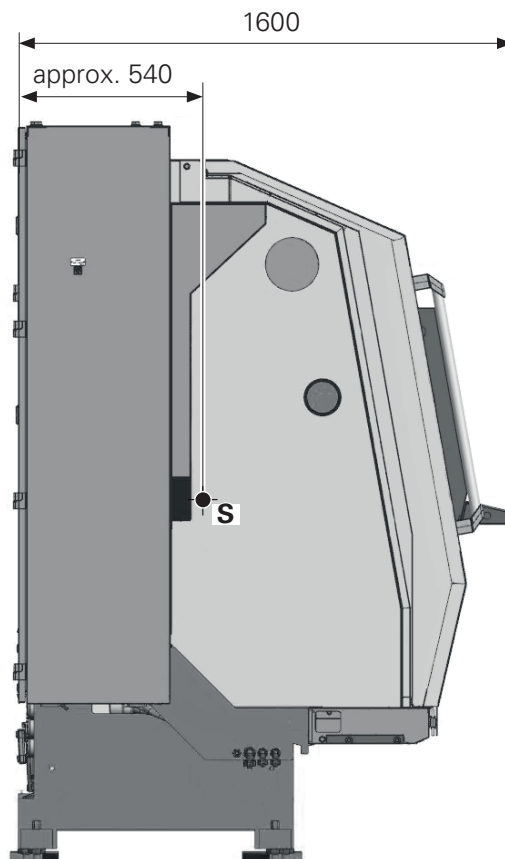
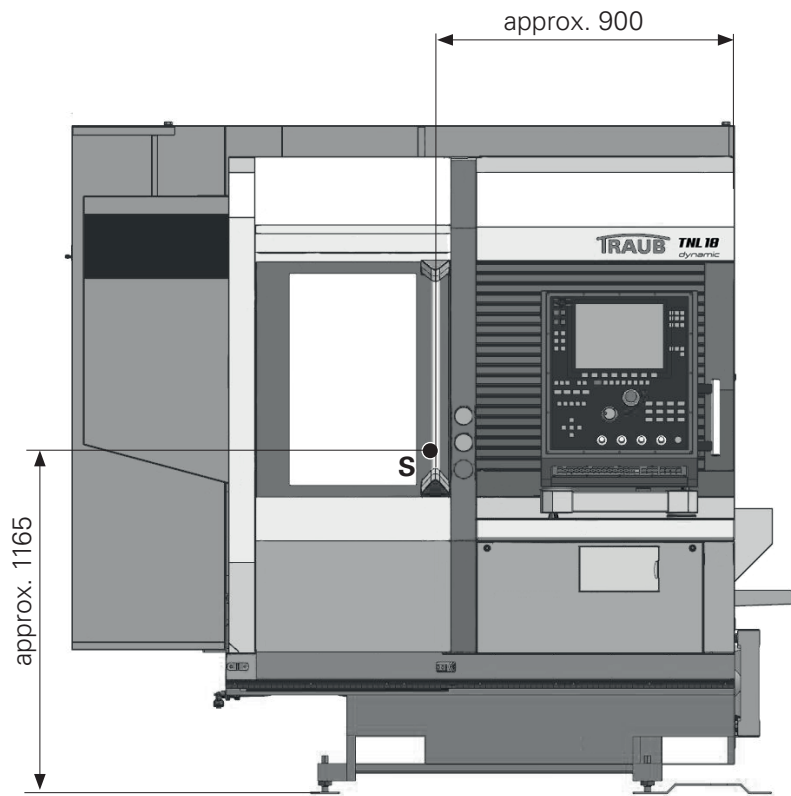
#### **The following are located in the chip conveyor or chip pan:**

- Footplates (4x)
- Adjusting screws (4x)
- Tools for the operator (such as special wrenches)
- Documentation for the user

Centre of gravity of the machine (S)  
TNL18P / TNL18-7



Centre of gravity of the machine (S)  
TNL18-7B (with B-axis)



**Machine ready for shipment**

Machine mounted on wooden planks and covered with plastic sheeting.

<b>Machine</b>	<b>TNL18-7 TNL18-7B (with B-axis)</b>	<b>TNL18P</b>
• Dimensions LxWxH [mm]	2479 x 1596 x 2481	2479 x 1501 x 2481
• Weight [kg]	3700	3700
• Packaging	Planks	

**Chip conveyor and accessories**

• Dimensions LxWxH [mm]	3100 x 1460 x 1160	3235 x 1450 x 750
• Weight [kg]	—	
• Packaging	Pallet	

**Openings for inserting the fork arms of the fork lift truck**

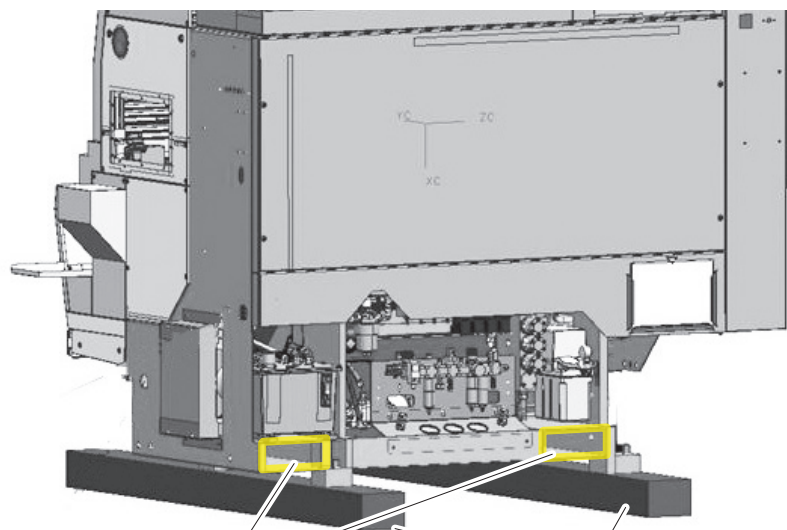
**i** The machine must be lifted from the control cabinet side when transported by a fork lift truck.

Non-slip rubber mats should be placed over the fork arms of the fork lift truck when transporting the machine.

The fork arms must be inserted in the openings on the control cabinet side to lift the machine.

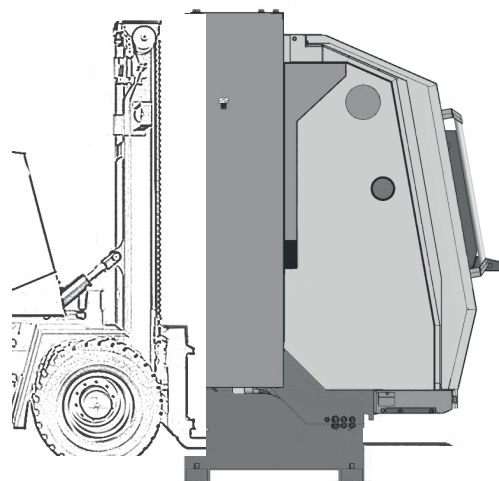
When setting the machine down, ensure that the fork arms are not tilted, otherwise the planks will break.

Fork lift truck requirements		
Lifting force, min.	kg	4000
Fork length, min.	mm	1400
Centre of gravity of the load	mm	700
Max. width of fork arms	mm	210
Max. height of fork arms	mm	90



Openings for inserting the fork arms

Wooden planks



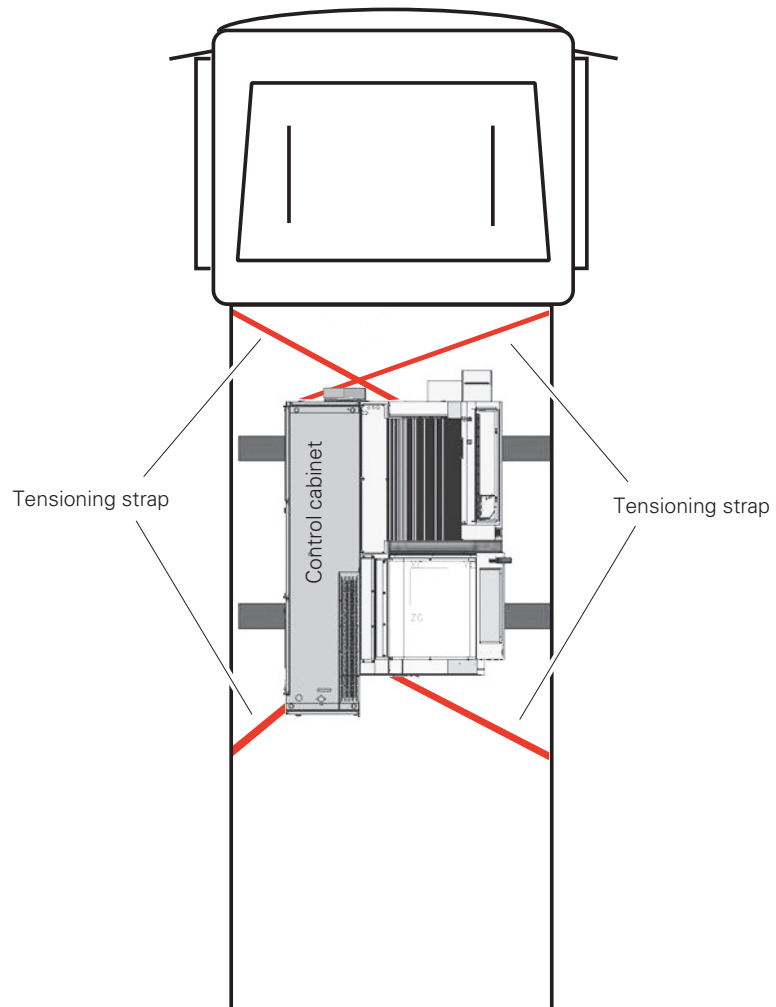
## Transporting the machine by truck

The truck should have pneumatic suspension in order to avoid major bumps during transport!

### Example for transporting the machine on a truck



The machine must be transported with the control cabinet on the left (in the direction of travel) (see diagram).





## Securing the load



The load must be secured as follows so that it cannot slip.

- **Non-slip rubber mats**

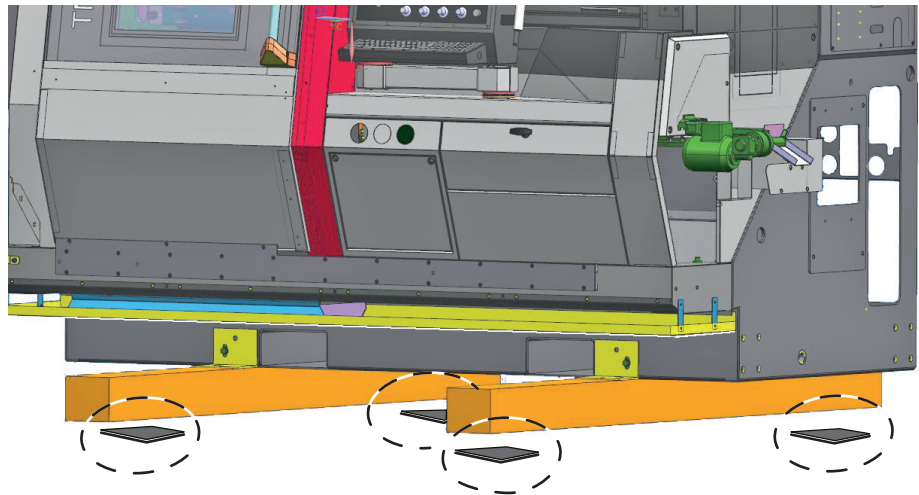
9 mm thick non-slip rubber mats must be placed between the floor and the wooden planks under the four (or six) bearing points of the machine.



The two wooden planks should only rest on the non-slip rubber mats at the outer bearing points of the machine.

The wooden planks should not rest on the floor in the middle.

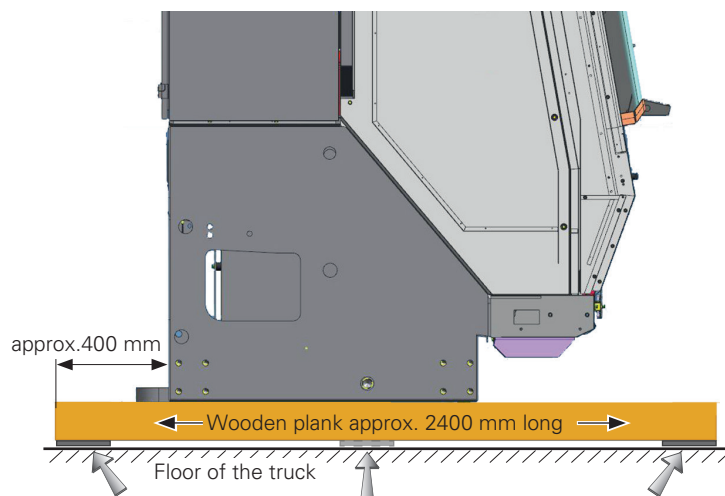
If the wooden planks sag in the middle and rest on the floor, non-slip rubber mats must also be fitted there.



**Non-slip rubber mats,**

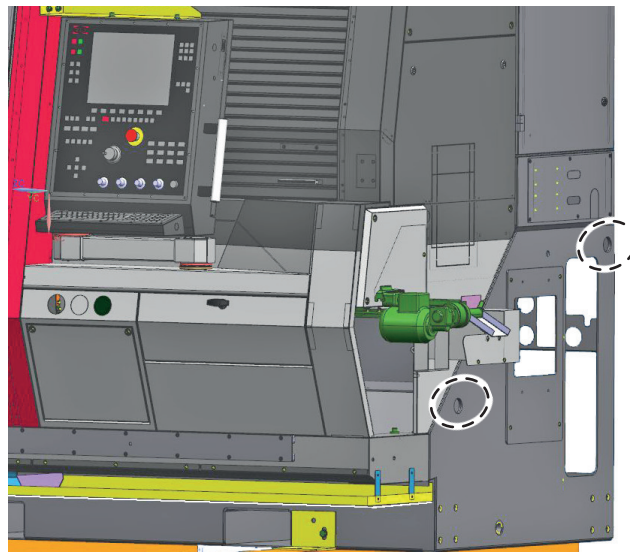
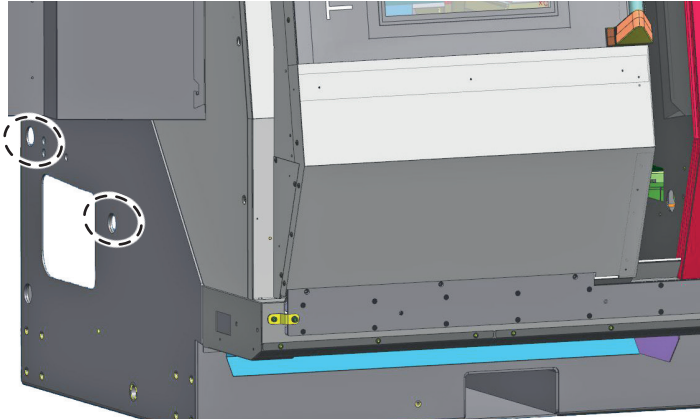
9 mm thick (bearing areas) between wooden planks and floor of the truck

- The two wooden planks (approx. 2400 mm long) must be wider than the machine to improve its stability.



4 (or 6) non-slip rubber mats, 9 mm thick

- **Diagonal lashing**  
The machine must be diagonally lashed to the floor of the truck with suitable straps. These straps can be secured to four openings in the bottom box of the machine.



**Unloading and transporting the machine with a fork lift truck**



**Danger due to falling machine / parts**

Ensure there is no-one underneath the suspended load!



**Beware of tipping over!**

The machine must be secured to prevent it tipping over when transported by a fork lift truck!

Note the machine's centre of gravity!

**Fork lift truck requirements**

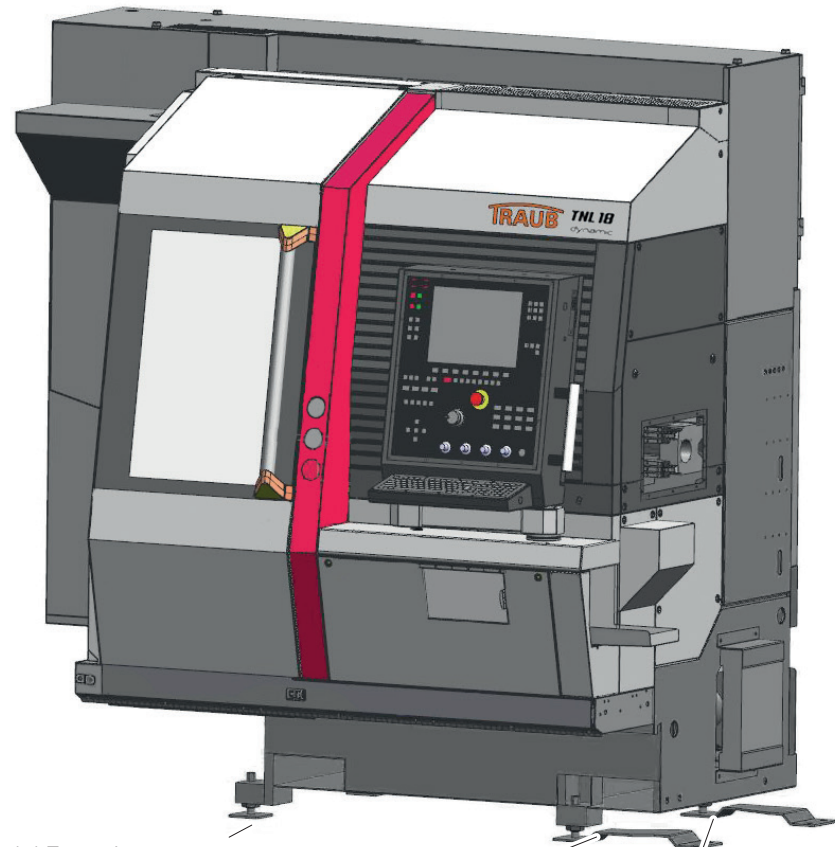
Lifting force, min.	kg	4000
Fork length, min.	mm	1400
Centre of gravity of the load	mm	700
Max. width of fork arms	mm	210
Max. height of fork arms	mm	90

- Non-slip mats should be placed on the fork arms when transporting the machine.
- Insert the fork arms in the openings on the control cabinet side of the machine and unload it from the truck.  
When setting the machine down, ensure that the fork arms are not tilted, otherwise the planks will break.

It is advisable to remove the planks from the machine before transporting it further.

- For this purpose, lift the machine slightly with the fork lift truck and support it as appropriate.
- Take out the screws in the planks and remove the planks.
- Then refit the four adjusting screws (they are located among the accessories in the chip conveyor or chip pan).
- Transport the machine to its installation site with the fork lift truck and place it in the position required for installation.

- Lower the machine so that the four footplates (5, 6 and 7) can just be pushed under the four bearing points. Ensure that the adjusting screws (4) are lined up with the recesses in the footplates (see diagram below).
- Lower the machine onto the footplates.
- Unscrew the hexagon locknuts (9) from the adjusting screws (4).



(5) Footplate 2x  
Article No. 900983

(6) Footplate  
Article No. 902442

(7) Footplate  
Article No. 900984



See "**Installation of the machine**" for further information.

**Transporting the machine on rollers**



**Beware of tipping over!**

The machine must be secured to prevent it tipping over when transported on rollers!

After removing the planks, the machine can also be lowered onto rollers and transported to its installation site and/or moved into the position required for installation.

The transport supports Art. No. 086641 and 086642 which are required for this purpose are available on loan from TRAUB and must be returned without delay and in full after use.

For a complete overview of the transport device, see drawing No. 086640.



Screw in the four adjusting screws and lower the machine onto the adjusting screws (the transport supports must fit under the machine for installation).

The adjusting screws are enclosed with the auxiliaries in the chip conveyor or chip pan.



When transporting the machine on transport rollers, ensure that the adjusting screws do not scrape along the ground or rest on the rollers.

Example for transporting the machine on rollers



**Technical requirements for rollers**

Height	mm	max. 110
Steerable	mm	max. 610 x 520
Adjustable	mm	min. 620 - 1000 x 200

For example, rollers of type F6 and L6, made by GKS, for loads up to 12 tonnes.

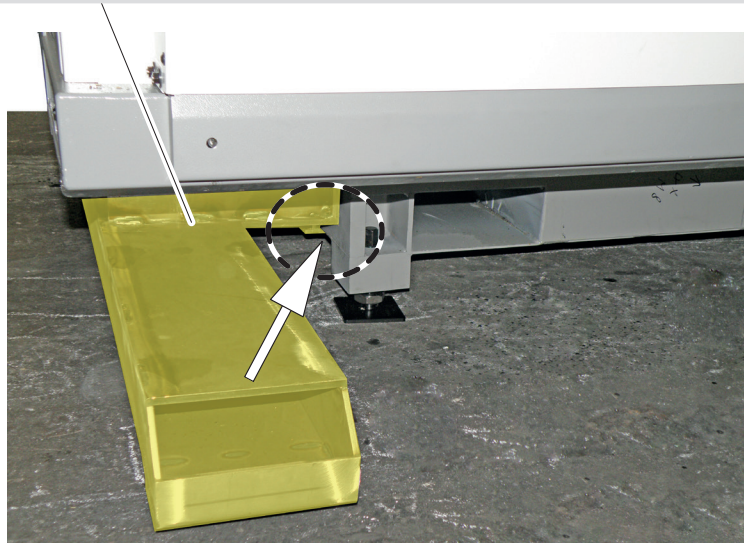


## Mount transport supports

Attach the transport supports to the right and left-hand ends of the machine with the screws provided for this purpose (the machine is raised by means of adjusting screws).



Care must be taken to ensure that the transport support Art. No. 086641 is fitted so that it engages the machine correctly.

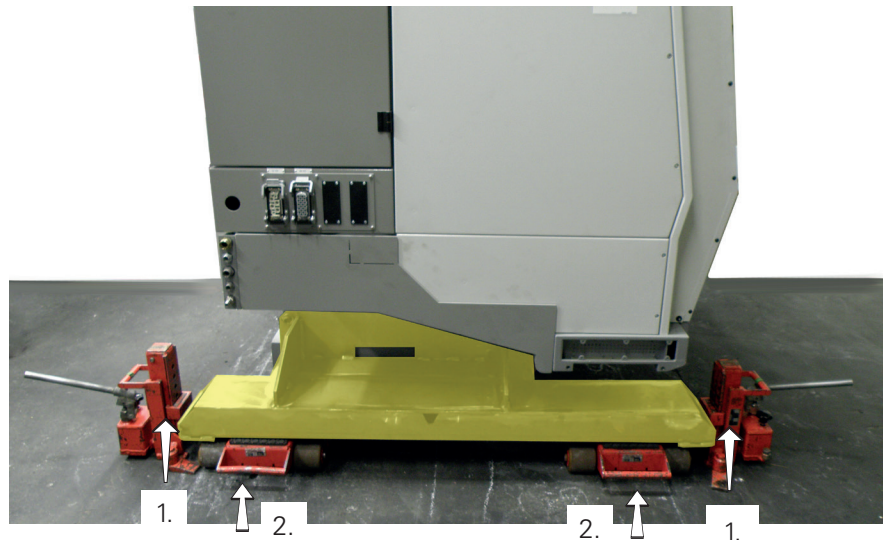


Transport support Art. No. 086642

## Place machine on rollers

Two or four hydraulic jacks are needed to lift the machine. Position the hydraulic jacks as shown in the following diagrams and lift the machine.

First place the rigid rollers under the transport supports Art. No. 086641 at the appropriate positions and carefully lower the machine onto the rollers.

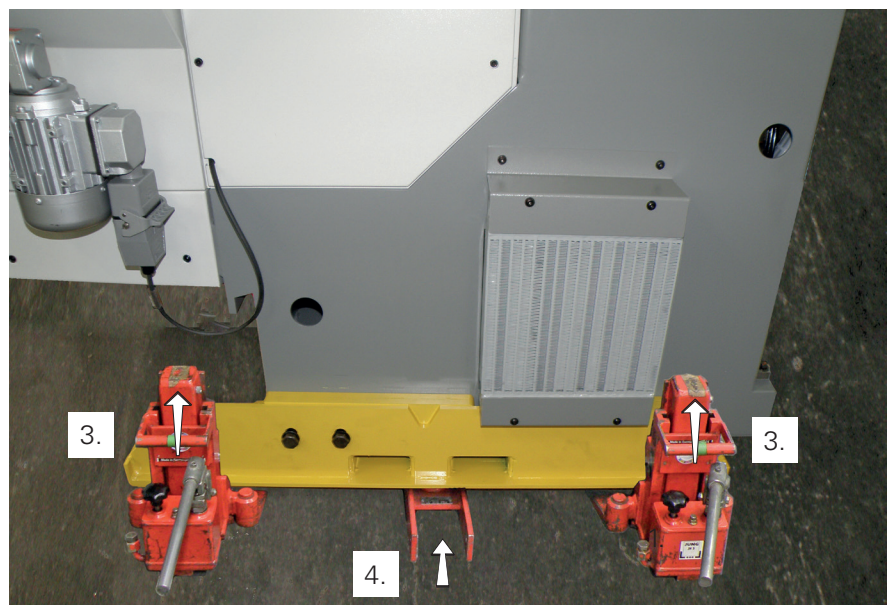


- Then place the steerable rollers under the transport support Art. No. 086642 at the appropriate positions. Carefully lower the machine onto the rollers. Ensure that the item being transported rests in the middle of the turntable (see illustrations on next page) so that the steering bar can move freely.

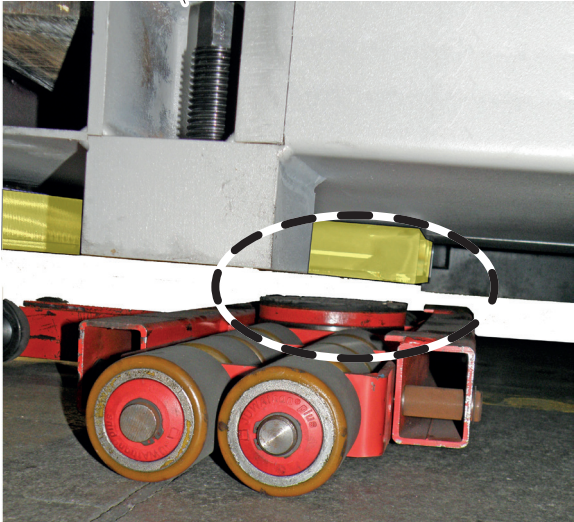
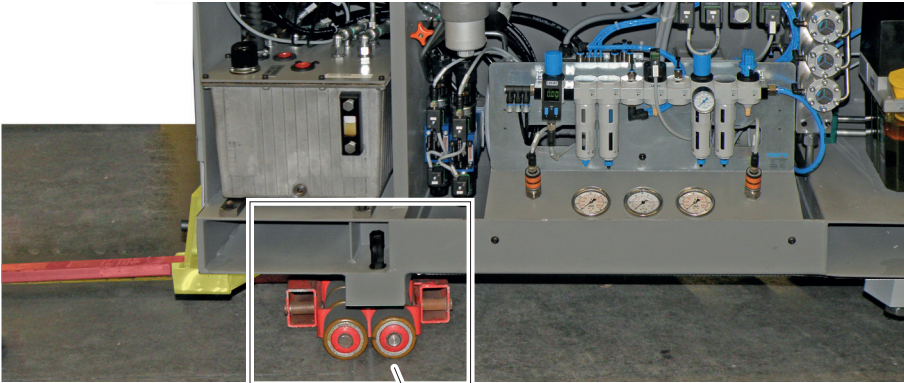


### Beware of being crushed on ramps or uneven floors!

The machine must be secured so that it cannot roll away inadvertently.



Ensure that the turntable of the steered roller is positioned correctly.

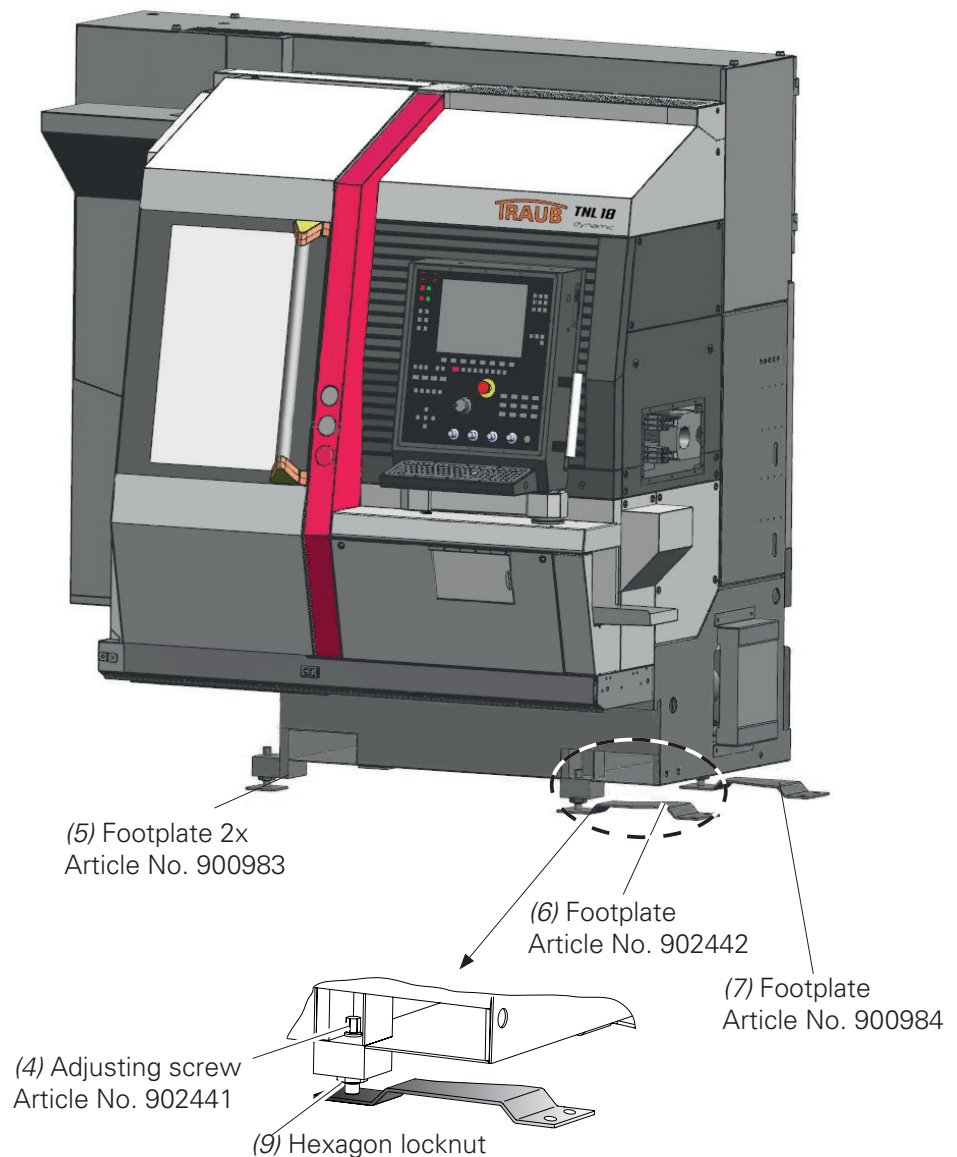




## Transport machine to installation site

- Transport the machine to its installation site or move it into the position required for installation and secure it so that it cannot roll away inadvertently.
- First attach the hydraulic jacks to the machine side with the steerable rollers and uniformly lift it until the rollers can be pulled out. Lower the machine slowly and evenly onto the two footplates (5) Art. No. 900983, taking care to ensure that the adjusting screws engage the recesses in the footplates.
- Then lift the other side of the machine until the rollers can be pulled out. Lower the machine slowly and evenly onto the footplates (6) Art. No. 900984 and (7) Art. No. 902442.

## Positioning the footplates






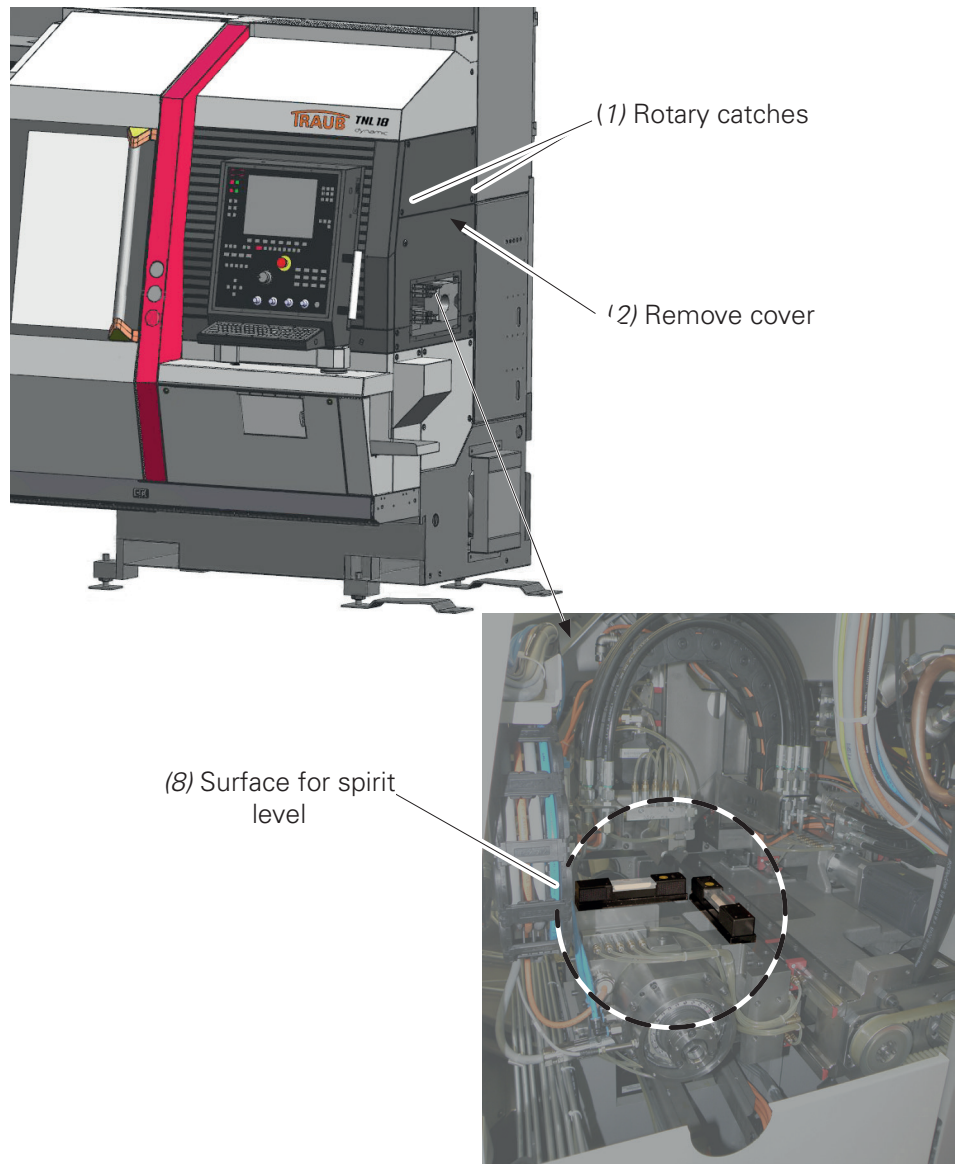
**Electrical connection**

Check rated values against the data and conditions specified in the chapter "Electrical connection".

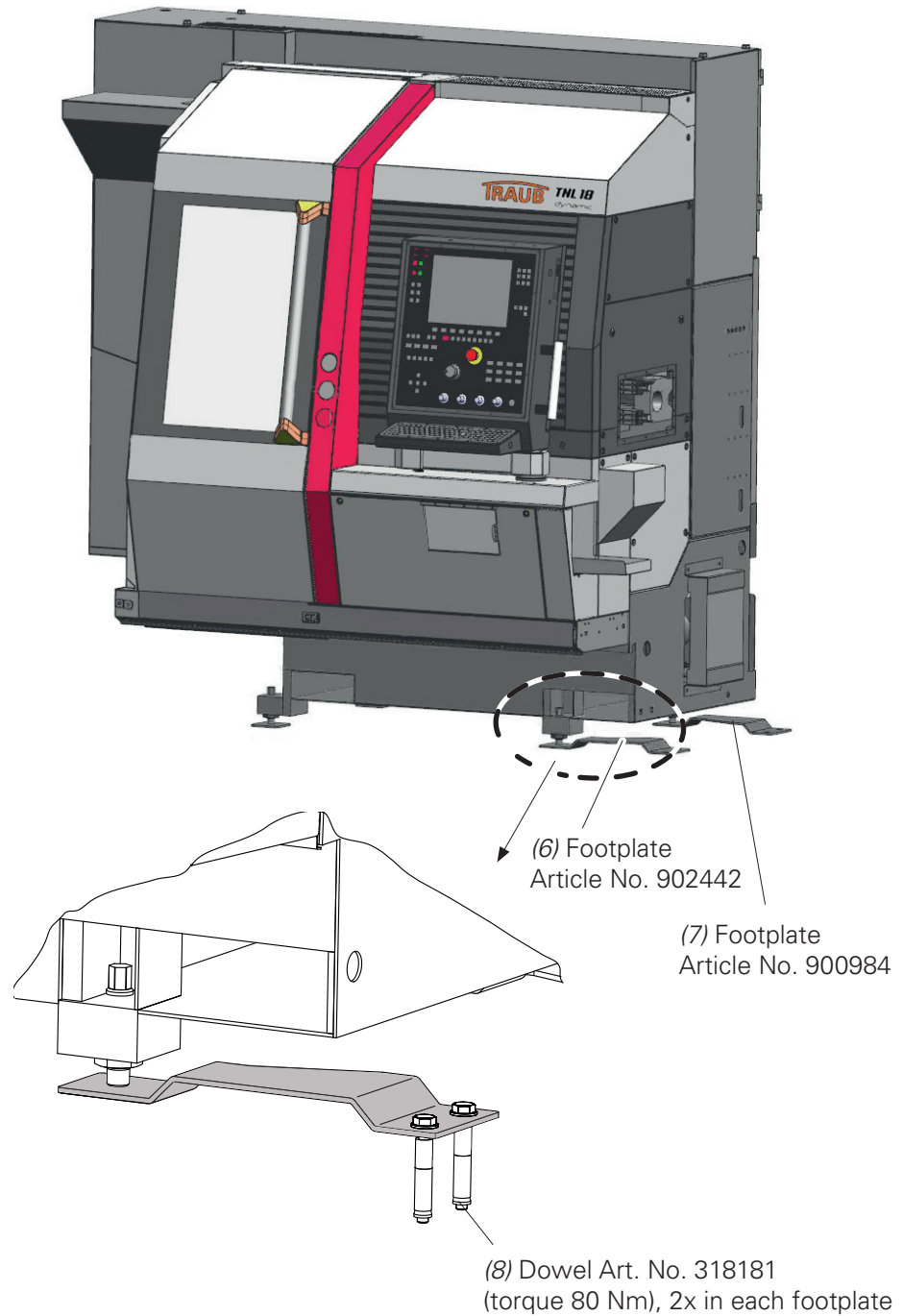
**Aligning and anchoring the machine**

- Turn adjusting screw **A3** up so that it lifts off the base plate completely.
- Open the rotary catches (1) to release the cover (2) and remove it.
- Place a spirit level on the surface (8) provided at the main spindle and align the machine to a **main spindle height of 1150 mm** by turning the adjusting screws **A1, A2** and **A4**.
- Turn down adjusting screw **A3**.

 The machine must be adjusted to exactly the **main spindle height of 1150 mm** so that the chip conveyor can be fitted. The permissible deviation must not exceed 0.5 mm over 1000 mm.



- Lock the adjusting screws (4) with the hex nuts (3).
- Drill a 110 mm deep hole into the foundation through each of the four holes in the two footplates (6 and 7) with a stone drill, dia. 18 mm; insert four dowels (8) Art. No. 318181 and screw tight (torque 80 Nm).



### Remove transport retainers and drip tray from the machine



All retainers and the drip tray must be removed from the machine before the chip conveyor is installed and before commissioning the machine.

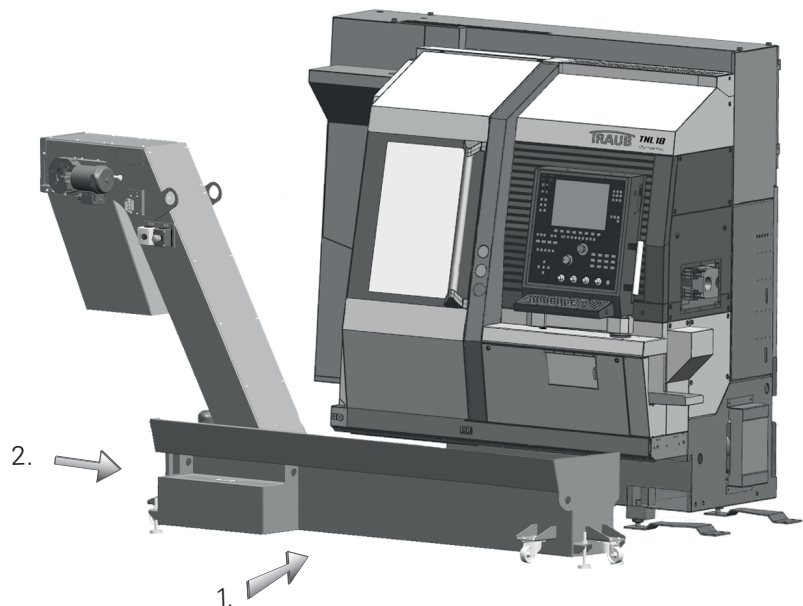
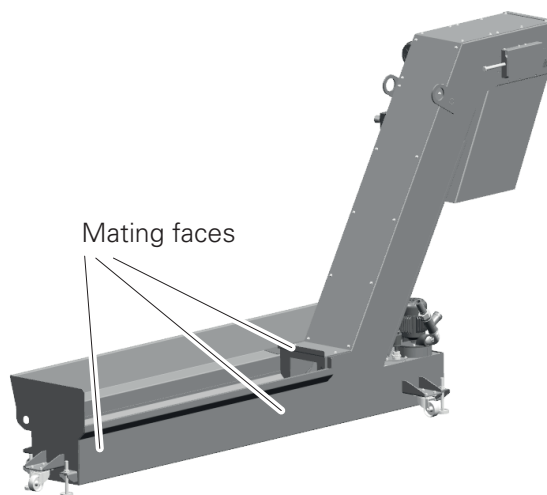
Positions of the transport retainers see chapter "**Preparing the machine for transport**".

After removing the retainers and drip tray, they should be stored in a safe place so that they can be reused (e.g. when transporting the machine again or for decommissioning).

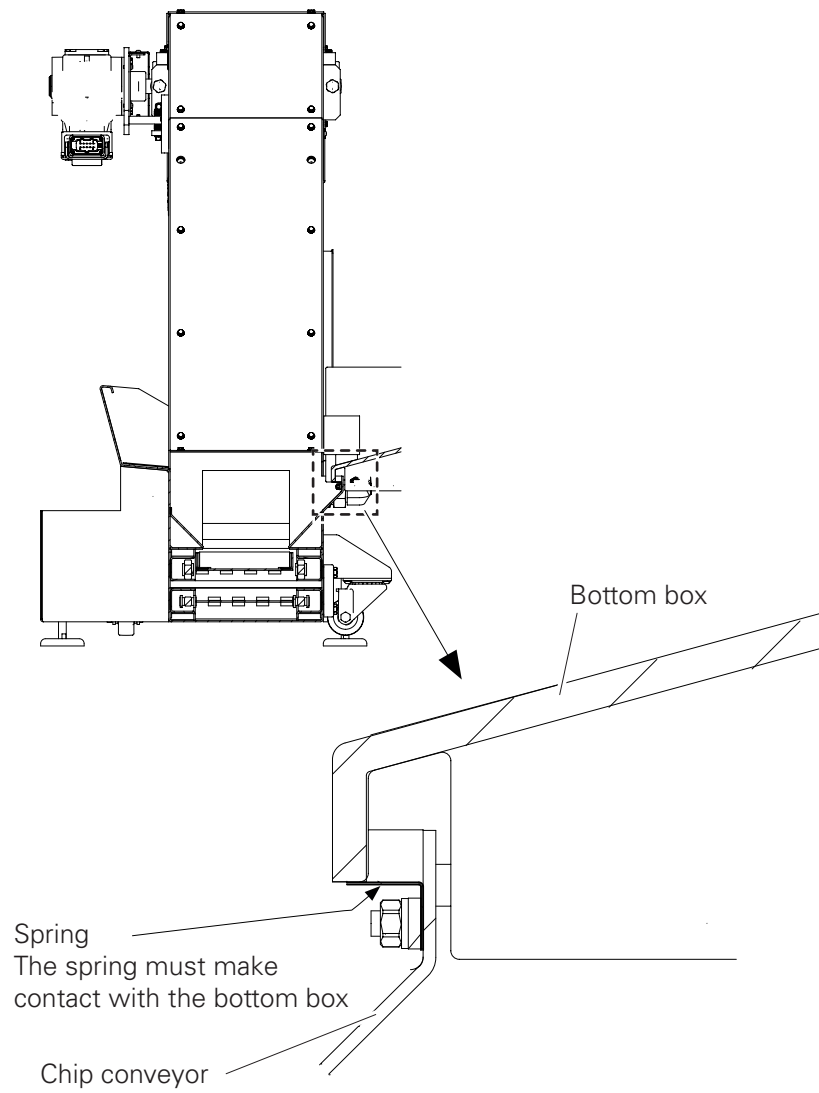
**Transport and installation of the chip conveyor and chip pan**

**i** **Note the manufacturer's user manual**

- Transport the chip conveyor and chip pan to the machine, then lift them off the pallet and set them down with the aid of suitable hoisting gear.
- Remove the accessories and documentation from the chip conveyor or chip pan if this has not been done already.
- From the operating side, push the chip conveyor and chip pan under the machine as far as possible, then slide them to the right as far as possible.
- Lift the chip conveyor and chip pan by means of the four feet until the sealing plate (see diagram on following page) makes contact with the bottom box (theoretical height of lift 22 mm).
- Remove the plugs from the hose lines and connect the hose lines.
- Connect the lubricoolant pumps to the power supply.



Sealing plate on chip conveyor



### Machine connection to central extractor unit

#### Shutoff damper for fire protection (optional)



If the owner does not have a shutoff damper for fire protection in the central extractor system, such a damper must be installed by the machine manufacturer's service personnel when installing the machine.

#### Indicator lamp

Connect the indicator lamp on the machine if removed for transport.

#### Fuels

Fill with fuels. Refer to chapter **Fuels**.





The control cabinet may only be opened when the master switch is off and must be locked in accordance with the applicable safety standards whenever the master switch is on.

### Notes

- The electrical connections may only be made by duly qualified electricians.
- The electrical documentation supplied is definitive and binding.  
It must be available to the machine manufacturer's service personnel at all times.
- Potentiometer and switch settings, machine parameters, etc. may only be changed by the machine manufacturer's service personnel.
- The machine must be connected to the power supply via the master switch (multi-wire cable).  
It is essential to ensure a clockwise phase sequence when connecting the machine.
- The feeder to the master switch on the control cabinet can be routed from above or through a duct in the base of the control cabinet.
- The control voltages are connected to the PE on one side in accordance with EN 60204 Part 1 (VDE 0113).



Note the information in the circuit diagrams

**Rated electrical connections**

The standard three-phase motors are operated with 400 V / 50 Hz in the VDE version and are designed for a voltage tolerance of  $\pm 5 \%$ .

**Conductor sizes and backup fuses to VDE 0100**

**TNL18P / TNL18-7**

		via special transformer						
Line voltage	V	400 (380-420)	380 (380-440)	460	200	220	230	500
Operating voltages Standard drive	V	400	400	460	400	400	460	400
Operating voltages Variable-speed drives	V	400 440	380 480	380 480	380 440	380 480	380 480	380 440
Frequency	Hz	50	60	60	50	60	60	50
Control voltage	V	24 =						
Valve-side coupling voltage	V	24 =						
Total rated power	kW	35						
Total rated current	A	56	59	48	112	102	97	44
Connected load	kW	24						
Max. backup fuse	A	63	63	63	100	100	100	63
Recommended cross-section	mm <sup>2</sup> AWG	16	16	AWG 5	35	35	AWG 2	16

**TNL18-7B (with B-axis)**

		via special transformer				
Line voltage	V	400 (380-420)	380 (380-440)	460	200	220
Operating voltages Standard drive	V	400	400	460	400	400
Operating voltages Variable-speed drives	V	380 440	380 480	380 480	380 440	380 480
Frequency	Hz	50	60	60	50	60
Control voltage	V	24 =				
Valve-side coupling voltage	V	24 =				
Total rated power	kW	35				
Total rated current	A	56	59	48	112	102
Connected load	kW	24				
Max. backup fuse	A	63	63	63	100	100
Recommended cross-section	mm <sup>2</sup> AWG	16	16	AWG 5	35	35

**Electrical connection**

The machine has been prepared by the manufacturer for "protective multiple earthing in a four-wire system". If other forms of protective earthing are used, the bridge between the PE and N terminals must be removed, if present.

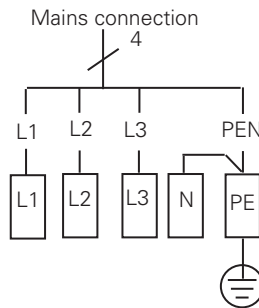


The midpoint "N" is loaded. Particular attention must be paid to the regulations on protection against excessively high contact voltages when making the connections.

A distinction must be made between:

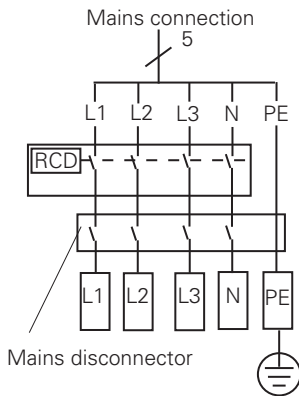
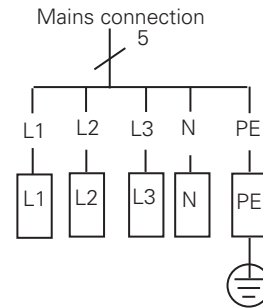
**Four-wire system**

(TN-C systems)  
PE and N bridged



**Five-wire system**

(TN-C-S systems)  
PE and N separate



**RCD circuit-breaker**

When using an RCD circuit-breaker, a device of type PFIM-...-U made by Moeller must be used.



N and PE must not be connected after the RCD circuit-breaker.

**Protective earth**

In TT systems, the protective earth wire of the body must be directly connected to earth. This earth must be separate from the earth for the power source.



Great care must be taken when connecting and checking the protective earth. Mistakes can prove fatal.



**Overview of fuels**



The information in the data sheets of the fluid manufacturers and in the document **Notes on Operating Materials** must be observed during all work involving fuels and fluids.

The filling quantities of the fuels and fluids are stated in the respective fluid schedules.

	Quantity [litres]	Designation	Initial start-up
<b>Central lubrication</b>	3		Factory-filled by <b>TRAUB</b>
<b>Hydraulic system/cooling system</b>	11		To be provided by the <b>customer</b>
<b>Compressed air</b>	see chapter Pneumatic connection		



### Supply of compressed air



The information in the data sheets of the fluid manufacturers and in the document **Notes on Operating Materials** must be observed during all work involving fuels and fluids.

The filling quantities of the fuels and fluids are stated in the respective fluid schedules.

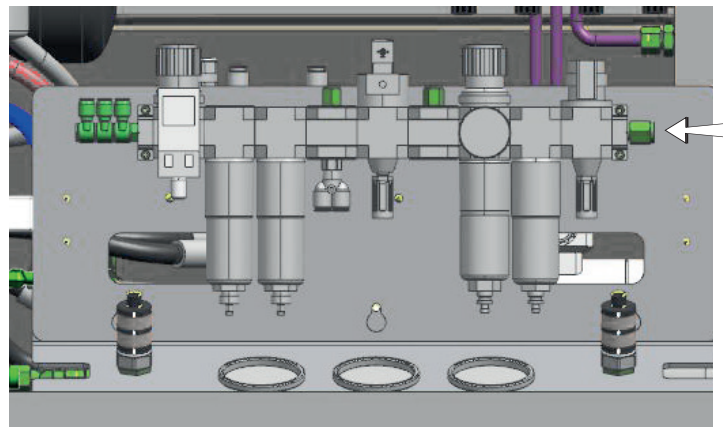
The necessary compressed air is conditioned in a maintenance unit on which settings are not required.

The values can be read off on pressure gauges to check normal functioning.

### Air consumption

The air consumption depends on the machine's equipment configuration and cycle time.

A value of approx. 300 NI/min is assumed on average for a standard machine.









Before switching on the machine, the key-operated switch must be set to "**Production mode**" in order to prevent the machine starting or moving unexpectedly.



Before starting up the machine for the first time, the operator must ensure that the machine and its safety mechanisms are in perfect working order. This must also be checked regularly during normal operation of the machine, but at least whenever it has been repaired or serviced.



- Switch ON the master switch on the control cabinet!



- Switch ON the NC control on the machine control panel.



- Switch drives ON.

- Open and close sliding cover  
Operability of the door switches must be checked by opening and closing the sliding cover. Operation of the machine cannot be commenced until the safety facilities have responded.







**INDEX-Werke GmbH & Co. KG  
Hahn & Tessky**

Plochinger Straße 92  
D-73730 Esslingen

Fon +49 711 3191-0  
Fax +49 711 3191-587

[info@index-werke.de](mailto:info@index-werke.de)  
[www.index-werke.de](http://www.index-werke.de)